

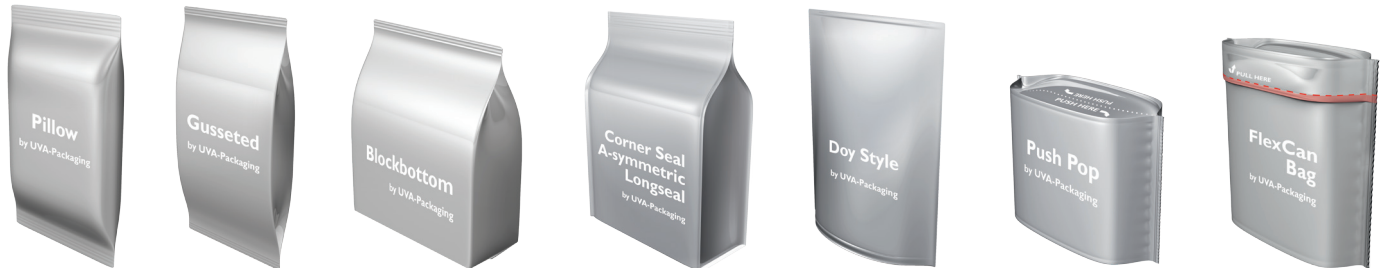
# UVA-ATLA Series

Intermittent motion packaging machine



Packaging Solutions and Technology

## UVA-ATLA Series



### Optimal Hygiene

- ▶ Sanitary design
- ▶ Available in full wash down execution (IP 66 / NEMA 4X)
- ▶ 100 % stainless steel execution available (no aluminium used)

### Highest Efficiency & Flexibility

- ▶ Multiple Bag styles
- ▶ Multiple film types
- ▶ A- brand components
- ▶ Multiple zipper types available  
(slider, press to close/transverse or inline)

### Extra specialties

- ▶ Multiple sealing technologies
- ▶ Corner seal technology  
(on former as well as on film carrier)
- ▶ Automatic splicing technology

### Benefits

- ▶ Highest speeds in the market
- ▶ Available for a wide range of products
- ▶ Highest Overall Equipment Effectiveness



## Contact Details

### Head Office • PMB-UVA International B.V.

T +31 (0)40 282 5000 • F +31 (0)40 282 5001 • Meerenakkerweg 32 • 5652 AV Eindhoven • The Netherlands • sales@uva-packaging.com • www.uva-packaging.com

### Northern American Division • UVA Packaging

T +1-804 275 8067 • F +1-804 271 3096 • 8111 Virginia Pine Ct. • Richmond, Virginia 23237 • United States of America • info@pmb-uvainc.com • www.pmb-uvainc.com

# Detailed Machine Specifications



## UVA-ATLA Series

### Machine Design

- ▶ Modular design
- ▶ Sanitary hygienic design
- ▶ Robust stainless steel frame
- ▶ Integration of dosing on frame is possible
- ▶ Pneumatics separated from electronics
- ▶ Full wash down version available (IP 66 / NEMA 4X option: no aluminium)
- ▶ Easy Floor clean up due to design

### Controls

- ▶ Machine control by Allen-Bradley
- ▶ PackML software
- ▶ Servo motors for cross seal and draw off belts

### Efficiency Management

- ▶ Easy and quick change of sealing jaws
- ▶ Optional auto splicer unit
- ▶ Efficiency statistics monitor with "reason code" interface
- ▶ Production counter with reset button at control panel
- ▶ Less waste through high speed centered web guiding

### Ease of Use

- ▶ Fully independent temperature control of all jaws
- ▶ Film reel for easy roll change, self centering and positioning
- ▶ Quick change on corner seal
- ▶ Quick 90° rotatable sealing jaws

### Options

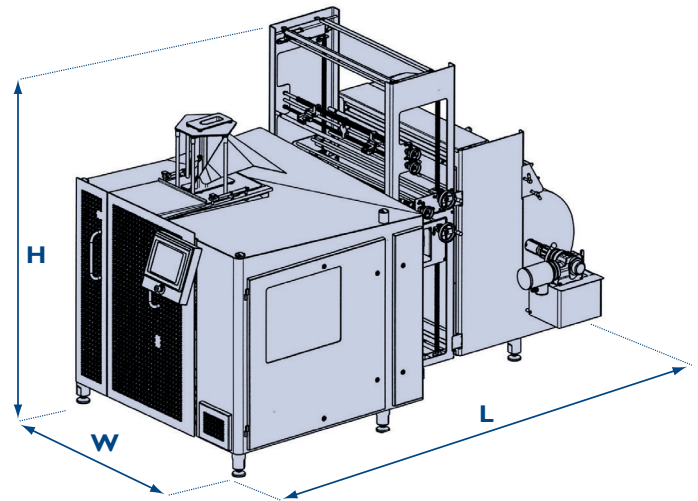
- ▶ Corner seal unit (on former as well as continuous)
- ▶ Transverse zipper
- ▶ Inline zipper
- ▶ Fully integrated gas flow control
- ▶ Euroloch, Peg hole
- ▶ Carry handle
- ▶ Combi execution (ceramic heatseal)
- ▶ Printer
- ▶ Punch unit
- ▶ Labeller
- ▶ UL panels
- ▶ Automatic splicing technology

### Safety

- ▶ Lock Out Tag Out option
- ▶ Safety Performance Level D
- ▶ Interlocking option on doors

### After Sales Service

- ▶ Low cost on maintenance, uptime guaranteed
- ▶ Global service network
- ▶ Full spare parts program
- ▶ Optional service contract including maintenance



Machine Specification	UVA-ATLA 400	
	0° rotated seal jaws	90° rotated seal jaws
Technology	Intermittent Motion	
Bag width, pillow	50-400 mm	
Bag width, block bottom	60-270 mm	
Front to back, block bottom	40-180 mm	
Bag length Doy Style	400 mm	
Bag length / cut off length	600 mm	
Standard reel width	840 mm	
Extended max. reel width	940 mm	
Maximum A-symmetry of film	125 mm	
Maximum reel diameter	700 mm	
Reel core diameter	76 mm or 156 mm	
Maximum machine output	125 bags/min.	
Machine weight approximately	2600 kg	
Dimensions (stand.) HxWxL in mm	1884 x 1717 x 3026	

Bag Styles	max. speed
Pillow	✓ 125 bpm
Block Bottom	✓ 85 bpm
Gusseted	✓ 85 bpm
Doy-Style	✓ 75 bpm
Doy-Style with inline zip	✓ 65 bpm
Block Bottom with transverse zip	✓ 65 bpm

Note: Speeds depending on product and film.